



ACCESSORY HANDBOOK

Backrest Pad Kit #6099-0023

Parts List

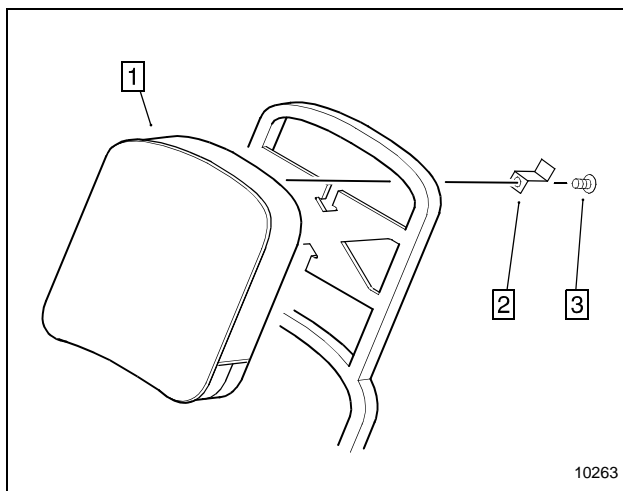


Figure 1

Item	Part No.	Description	Qty.
1.		Backrest Pad*	1
2.	7499-0008	Mounting Clip	3
3.	5199-0183	Screw - Hex. Button Hd.	3
* Not Sold Separately			

Installation Instructions

NOTICE

This kit is designed to be used with Sissy Bar Kit #6099-0022.

The "X" in the sissy bar is designed to provide additional support when using the sissy bar as a backrest, or with the optional backrest pad. When properly installed, the "X" should be flush with the forward surface of the sissy bar.

1. Install the backrest pad with the mounting clips and button hd. screws provided in this kit as shown (see Figure 1).

Backrest Pad Care

Clean the backrest pad with a vinyl upholstery cleaner to maintain its pliancy and appearance. You may use a vinyl protectant on the backrest pad as well. Always follow the manufacturer's instructions for proper application and use of vinyl cleaners or protectants. Avoid using any product that leaves the pad slippery once dry.